



Overview

In 2025, Telos grandly launches the new Foundation series, based on the classic GNR / QRC chassis, inheriting the flagship specifications and parameters of the Earth Grounding Monster series created in the past six years, achieving up to 40% of the flagship performance in a more compact size, and redefining the core value of active grounding and power tuning.

Between 2018 and 2019, the Telos team introduced the V3.1 parts single-guide detection technology, followed by the release of the ultra-low frequency compensation circuit in V5.1. Each technological advancement offers users a completely new listening experience. In 2023, we developed the Earth Grounding Monster at all costs, taking Active Grounding to the limit and achieving significant recognition in the global high-end audio market. However, technological advancement does not rest on previous accomplishments. To enable more players to experience the most cutting-edge grounding technology, CTO Jeff Lin chose to infuse the research and development expertise of the Monster series and Infinity series into the Foundation Ground Core / Power Core, resulting in an unparalleled breakthrough.

Foundation Power Core

Foundation Power Core features a high-precision CNC-machined aluminum alloy body, renowned for its exceptional rigidity and vibration dampening properties. Its integrated streamlined design offers a luxurious appearance with minimalist aesthetics, making it an ideal complement to premium audio systems. Foundation Power Core represents an advancement of QRC, embodying the principles of state-of-the-art technology, transforming the power processing benchmark, and featuring broadband lossless current transmission technology to guarantee a pristine magnetic field and minimal chassis resonance. Whether in current output or phase operation, zero loss can be attained, eradicating sound quality degradation and delivering the ultimate audio performance without compromise.





Key Features

Foundation Power Core — Through a multi-stage quantum interference framework, the power supply energy fluctuations are fully optimized, allowing the flow of current to more closely resemble the natural breathing of music.

- Supports maximum 20A current output to meet the needs of high-power audio equipment.
- High-end capacitors made with new material technology further improve energy transfer efficiency and sound realism and density.
- More optimized power distribution design ensures system dynamic stability and complete presentation of music.

Safety Precautions



Warning Symbol: Users should be aware that there is a non-insulated hazardous voltage within the equipment's outer casing, which may result in electric shock.



Caution Symbol: Users should take note that important operational, maintenance, and repair information is included in the user manual and maintenance manual.

- To reduce the risk of electric shock, do not remove the outer casing.
- There are no user-serviceable parts inside the equipment.
- Please leave maintenance tasks to qualified service personnel.
- When replacing the main fuse in the plug, use a fuse of the same type and rating.
- Before replacing the fuse, unplug the power cord.
- *The Telos Foundation Power Core does not limit any current and is therefore designed to be used with a wide range of amplifiers, including demanding high current designs. Please do not use the device with high-power household appliances or industrial electrical equipment. In contrast to audio devices that draw a fluctuating, momentary current, these devices might draw a constant high current. To comply with power design and safety standards, avoid connecting devices that exceed 2000W for extended periods, in order to ensure optimal performance and safety.*

Warning: To reduce the risk of fire or electric shock, do not expose the equipment to rain or damp environments. It carries a risk of electric shock; do not open it.

Product Recycling

This product is designed in compliance with international directives on the restriction of hazardous substances. (EX: Trash Bin Symbol) indicates compliance and requires these products to be recycled or disposed of in accordance with these directives.

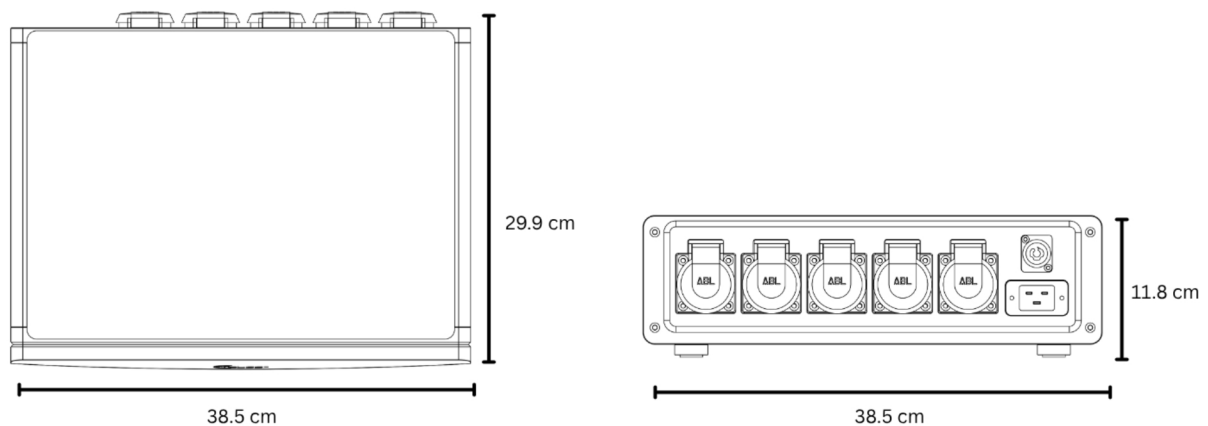
Packaging Contents

- "Foundation Power Core" Main Unit
- Power Cable 1.8m *1 pcs (US or EU)

Installation Location

Typically, you should place your main unit near your audio equipment and system rack for closer proximity to the connections of your audio equipment. The use of **any type of power conditioner** may lead to the main unit not functioning correctly. Telos does not recommend the use of any type of power conditioning device as the power source for the main unit.

Dimension Diagram



Operating Instructions

- Plug the power cord directly into a wall outlet.
- Connect the audio equipment power cable to the Foundation Power Core.
- Please do not use with high-power household appliances or industrial electrical equipment. To comply with power design and safety standards, avoid connecting devices that exceed 2000W for extended periods, in order to ensure optimal performance and safety.

Equipment Specifications

Nude packed size : 38.5 x 28.6 x 11.8 (cm)

Packaged size : 63 x 61.5 x 20 (cm)

Nude packed weight : 11 kg

Nude packed weight : 17 kg

Power input : 100–120V or 200–240V / 50–60Hz

Fuse: T2A, 5 × 20 mm × 8 pcs

Contact Information

“Our research and development philosophy aims to reproduce the natural, authentic, and balanced sound through the process of appreciating audio.”

SHENG-KAI CO., LTD.

www.telos-audio.com.tw | E: info@telos-audio.com.tw

TEL +886-2-8626-0773 | FAX +886-2-86261029

No. 102, Pingding Rd., Tamsui Dist., New Taipei City 251035, Taiwan (R.O.C.)