



Overview

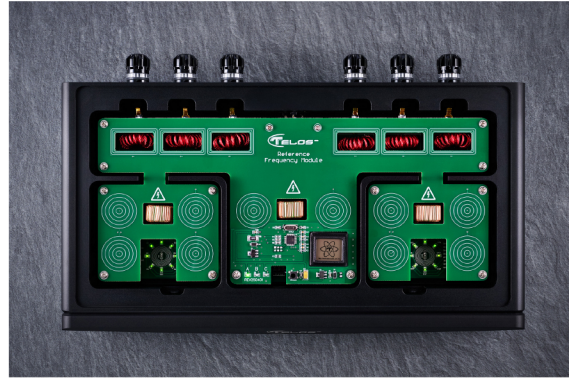
In 2025, Telos grandly launches the new Foundation series, based on the classic GNR / QRC chassis, inheriting the flagship specifications and parameters of the Earth Grounding Monster series created in the past six years, achieving up to 40% of the flagship performance in a more compact size, and redefining the core value of active grounding and power tuning.

Between 2018 and 2019, the Telos team introduced the V3.1 parts single-guide detection technology, followed by the release of the ultra-low frequency compensation circuit in V5.1. Each technological advancement offers users a completely new listening experience. In 2023, we developed the Earth Grounding Monster at all costs, taking Active Grounding to the limit and achieving significant recognition in the global high-end audio market. However, technological advancement does not rest on previous accomplishments. To enable more players to experience the most cutting-edge grounding technology, CTO Jeff Lin chose to infuse the research and development expertise of the Monster series and Infinity series into the Foundation Ground Core / Power Core, resulting in an unparalleled breakthrough.

Foundation Ground Core

Foundation Ground Core features a CNC-machined aluminum alloy chassis that improves rigidity and minimizes resonance. It also boasts a newly designed integrated streamlined panel, offering a simpler and more sophisticated appearance that seamlessly fits into high-end audio systems. Telos Ground Core represents not only an enhanced iteration of GNR but also a next-generation product that retains the fundamental technology of Earth Grounding Monster. Foundation Ground Core maintains the design language established by the Monster series, emphasizing craftsmanship and aesthetics. It features a refreshed visual appearance and panel design, characterized by smoother lines that highlight the interplay of strength and elegance.





Key Features

Foundation Ground Core — Featuring an Active Grounding circuit at its core, it maximizes signal purity, minimizes ground noise, and delivers a richer, more textured musical experience. This dedication enables users to enjoy the superior performance of the audio system without the need for frequent equipment replacements.

- **Revised design for frequency correction circuit** : 7.83/432/528Hz golden frequency tuning, Enhance the emotional expression of music, creating a sound that is warmer and more fluid.
- **Enhanced precision in CPU voltage regulation circuit** : Enhances stability by 40% to guarantee the long-term reliable operation of the Active Grounding circuit.
- **Recent Solder Tuning Technology** : Utilizing a distinctive solder formula to enhance conductivity, create a more natural sound and further minimize the distortion resulting from ground noise.
- **Enhancing Grounding Circuit Elements** : Lower output impedance, enhance current output capacity, and ensure grounding is more stable and efficient.
- **Improved GNR noise resistance** : Enhance the clarity of the audio signal, create a quieter and more transparent sound field, and allow the musical details to be more distinctly perceived.

Note :

- A. 7.83Hz enhances low frequencies
- B. 432Hz enhances mid-range vocals
- C. 528Hz enhances high frequencies and spatial details

Safety Precautions



Warning Symbol: Users should be aware that there is a non-insulated hazardous voltage within the equipment's outer casing, which may result in electric shock.



Caution Symbol: Users should take note that important operational, maintenance, and repair information is included in the user manual and maintenance manual.

- To reduce the risk of electric shock, do not remove the outer casing.
- There are no user-serviceable parts inside the equipment.
- Please leave maintenance tasks to qualified service personnel.
- When replacing the main fuse in the plug, use a fuse of the same type and rating.
- Before replacing the fuse, unplug the power cord.

Warning: To reduce the risk of fire or electric shock, do not expose the equipment to rain or damp environments. It carries a risk of electric shock; do not open it.

Product Recycling

This product is designed in compliance with international directives on the restriction of hazardous substances. (EX: Trash Bin Symbol) indicates compliance and requires these products to be recycled or disposed of in accordance with these directives.

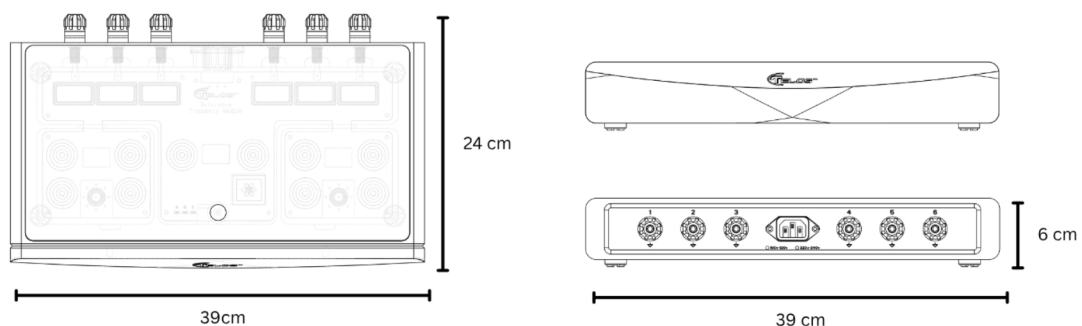
Packaging Contents

- "Foundation Ground Core" Main Unit
- Standard Ground Wire 1.5m *6 pcs
- Power Cable 1.8m *1 pcs (US or EU)

Installation Location

Typically, you should place your main unit near your audio equipment and system rack for closer proximity to the connections of your audio equipment. The use of any type of **power conditioner** may lead to the main unit not functioning correctly. Telos does not recommend the use of any type of power conditioning device as the power source for the main unit.

Dimension Diagram

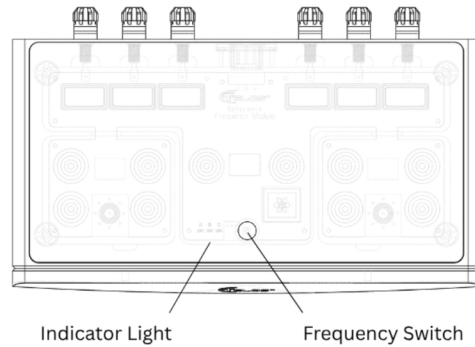


Operating Instructions

Plug the power cord directly into a wall outlet.

Connect the small Y-shaped terminal of the grounding wire to your audio equipment.

Grounding Connector : 6 x WBT-0703 CU Nextgen Pole Terminal – Gold Plated



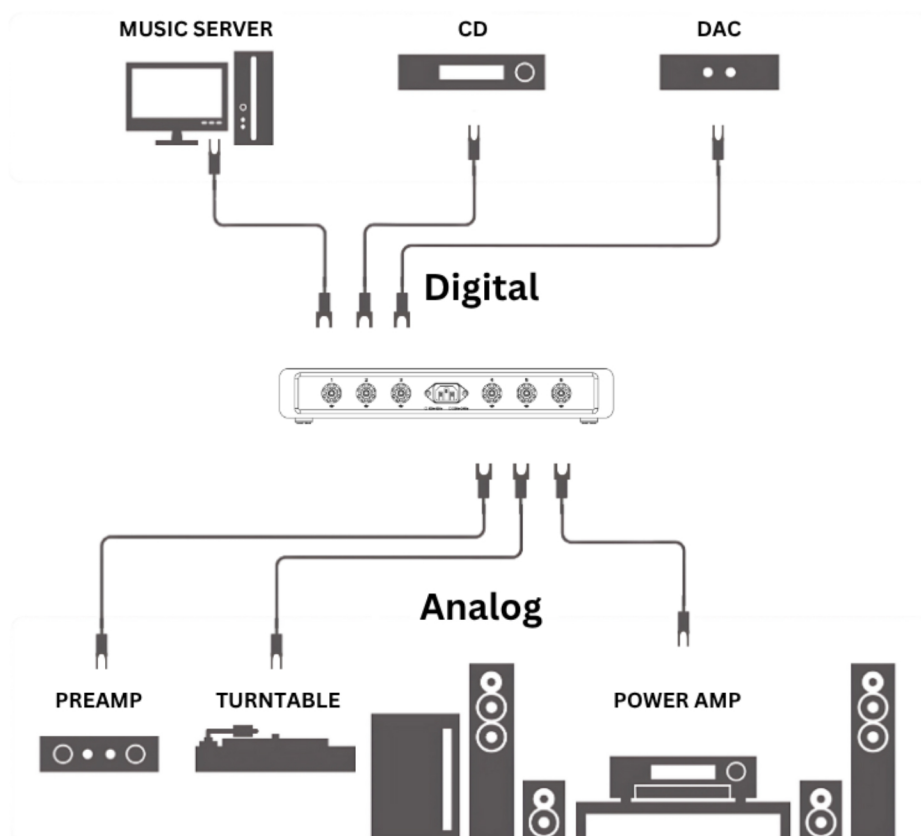
From left to right, the indicator frequencies are : A. 7.83Hz / B. 432Hz / C. 528Hz

No signal : No operating frequency.

You may use one side for Digital equipment, and another side for Analog. Terminals 1, 2, and 3 are recommended for connecting digital devices, while terminals 4, 5, and 6 are recommended for connecting analog devices. Or you can simply use two Foundation Ground Core to separate digital and analog equipments.

Digital can be : CD player, Music Server, DAC

Analog can be : Turntable, Preamp, Power AMP



Equipment Specifications

- Nude packed size : 39*24*6 (cm)
- Packaged size : 63*61.5*20 (cm)
- Nude packed weight : 7.7 kg
- Packed weight : 12 kg
- Power input : 100–120V or 200–240V / 50–60Hz
- Fuse : T2A, 5 × 20 mm × 3 pcs

Contact Information

SHENG-KAI CO., LTD.

www.telos-audio.com.tw | E: info@telos-audio.com.tw

TEL +886-2-8626-0773 | FAX +886-2-86261029

No. 102, Pingding Rd., Tamsui Dist., New Taipei City 251035, Taiwan (R.O.C.)

“Our research and development philosophy aims to reproduce the natural, authentic, and balanced sound through the process of appreciating audio.”